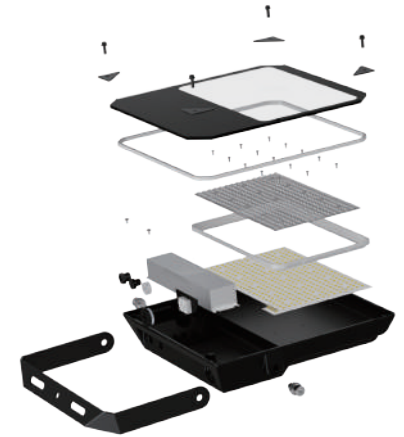




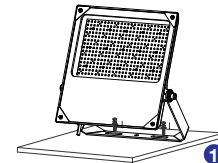
Features and Benefits

- CCT & Power selectable.
- Cutting-edge innovation: Slimmer, Lighter and Brighter Design.
- SMD2835 LEDs with high-lumen output. Rated 170lm/w and up to 180lm/w.
- Built-in Driver provides 90-305Vac, 6/6kV surge, and high efficiency of up to 96%.
- Pre-wired with regular power plug, 1.2m lead.
- TGIC tough coating application.
- IP66 and IK08 impact resistant.
- Rated life span 50,000hrs
- 5-year warranty. "RIP" Recall Insurance Policy.

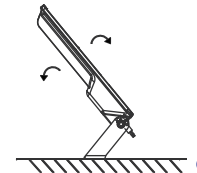


	170 lm/w	CRI 70		LM80	TM21
Operating temp -20°C-50°C			6KV surge protection		
TGIC painting	IP66	IK08			
IES available	50,000 hrs	5 Year Warranty			

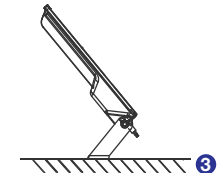
Installation



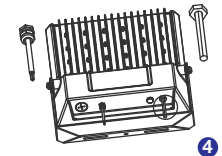
Fix the floodlight onto the mounting surface with 2pcs M10 screws and relevant washers.



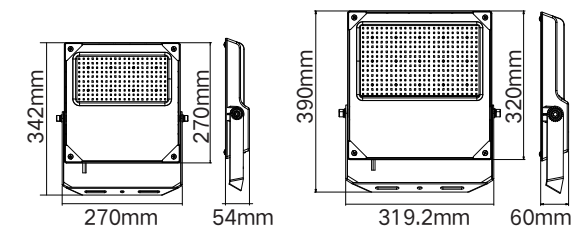
Adjust the direction of floodlight by unscrew the side hexagon socket head screws.



After adjust the direction, fasten the unscrewed screws and complete wiring properly.



DIM +(PURPLE)
DIM/AUX-(PINK)
AUX +(BLACK/WHITE)
AC/L(BROWN)
AC/N(BLUE)
PE(GREEN/YELLOW)



Technical Specifications

Model No.	Power Selectable	LEDs	Lumen	3CCT	CRI	Beam Angle	Voltage	PF	N.W/pc	Surge Protection	Dimension W H D
LLFM-100WPS-CCT	100W 80W 50W		17000lm	3000K 4500K 6500K	70	120°	90-305VAC	0.95	2.84kg	6KV	270 342 54
LLFM-200WPS-CCT	200W 150W 120W		34000lm	3000K 4500K 6500K	70	120°	90-305VAC	0.95	4.21kg	6KV	319.2 390 60